
Installation Instruction

L36 LED Street Light



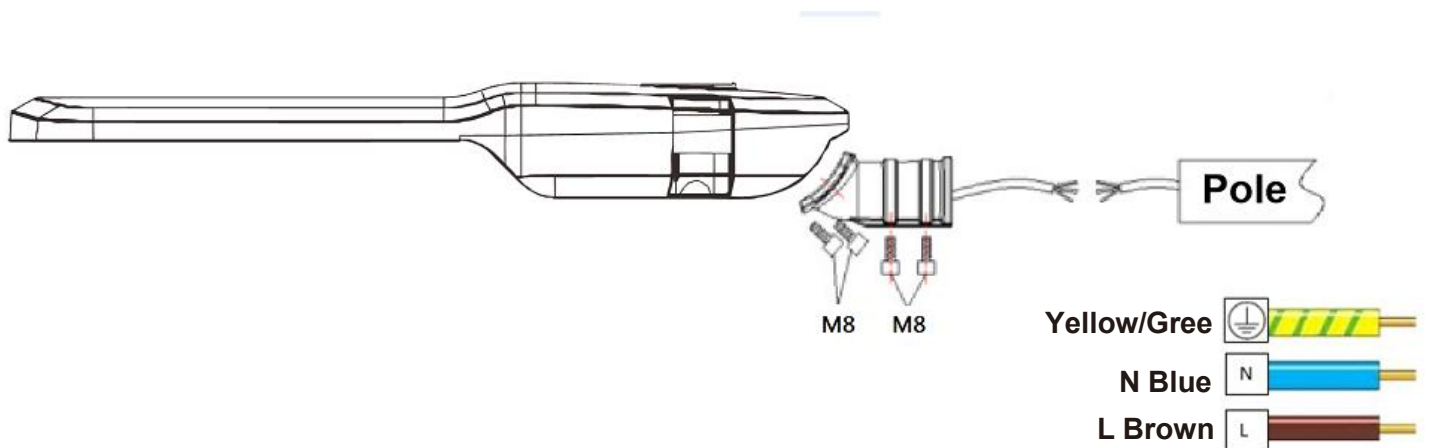
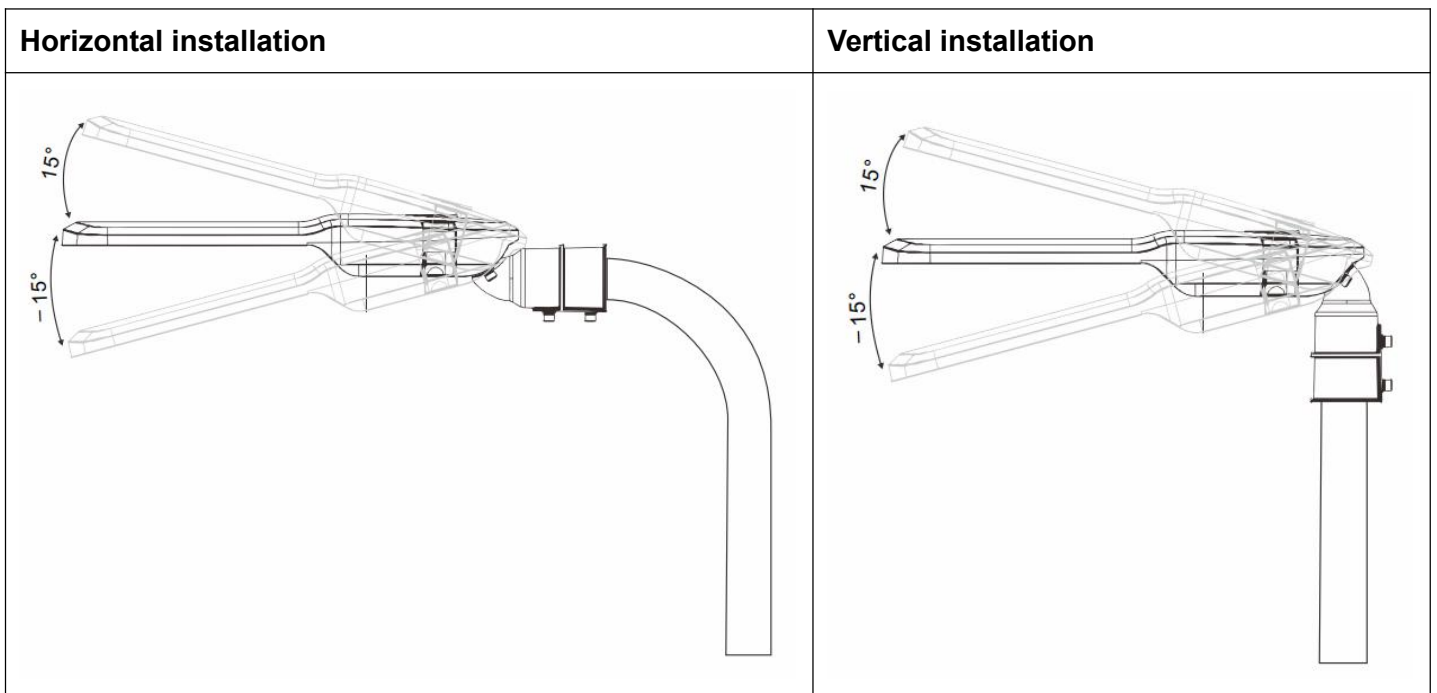
I. Application

This product mainly applies to highway, urban roads and secondary roads, sidewalk, residential area, industry sites, square area, park, school ,villa and courtyard, etc.

II. Specifications

Model No.	LED	Power	Input Voltage	Luminous efficiency	Dimension
LY-L36-25	5050	25W	AC200-240V,50/60Hz	120lm/W-170lm/W	560x209x128mm
LY-L36-40	5050	40W	AC200-240V,50/60Hz	120lm/W-170lm/W	
LY-L36-50	5050	50W	AC200-240V,50/60Hz	120lm/W-170lm/W	
LY-L36-60	5050	60W	AC200-240V,50/60Hz	120lm/W-170lm/W	
LY-L36-75	5050	75W	AC200-240V,50/60Hz	120lm/W-170lm/W	
LY-L36-75	5050	75W	AC200-240V,50/60Hz	120lm/W-170lm/W	615x259x128mm
LY-L36-90	5050	90W	AC200-240V,50/60Hz	120lm/W-170lm/W	
LY-L36-110	5050	110W	AC200-240V,50/60Hz	120lm/W-170lm/W	
LY-L36-120	5050	120W	AC200-240V,50/60Hz	120lm/W-170lm/W	
LY-L36-135	5050	135W	AC200-240V,50/60Hz	120lm/W-170lm/W	
LY-L36-150	5050	150W	AC200-240V,50/60Hz	120lm/W-170lm/W	

III. Installation



Installation Diagram Sketch:

- Cut off the power and choose a suitable installation method for installation according to the application site to ensure its installation robustness.
- Correctly connect the lamp's own cable and engineering cable (connect the white line of the lamp's power input line to the neutral line of the city power line; connect the black line to the mains line of the city power line; connect the green line to the ground line), then plug the wire into the lamp Pole.
- After making sure that the fixture is stable, tighten the M8 hexagonal screw on the fixture to secure it on the post or support with a torque of 16Nm.

IV. Attentions

- Warranty 5 years
- Please check the light carefully upon opening the package and please handle it gently.
- Any damage please contact us immediately.
- Make sure the power has been turned off before installation, maintenance or repairing.
- Please use the light within rated voltage.
- Clean the lens cover regularly to maintain high transmission of light.
- No touching when light is working. Do not cover the light with cloth or anything else.
- Do not look directly at the LED light source for a long time. High-intensity light sources may cause eye damage.
- To avoid being shocked, maintenance and installation should be carried out by professionals.

